

# PRODUCT DATASHEET

## TM800 Chain Actuator

Suitable for use in smoke and natural ventilators

### Technical

Supply : 24 Vdc +/- 15%

Ampere: 2.5A @ 24Vdc\*

Stroke: 100 -1,400 mm

Push/Pull forces : 800N (retraction use only for stroke >1000mm)

Clamping forces: >3,500N  
(based on manufacturers bracket)

Speed: 10 -14mm/s \*

\*high speed version up to 27mm/s available on request

Housing: Extruded aluminum

Finishes: Anodized RAL 9006

Cable: 2 m silicon cable

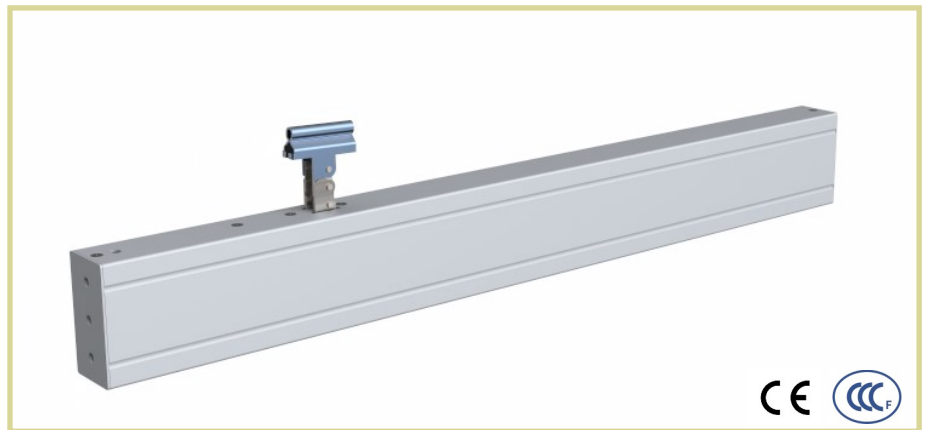
Ingress Protection: IP 32

Endurance: 10,000 cycles  
30% duty cycle

Synchronizer: built-in

Weight : 3.5 kg (1,000mm stroke)

Compliant to: GB16806-2006



### Description

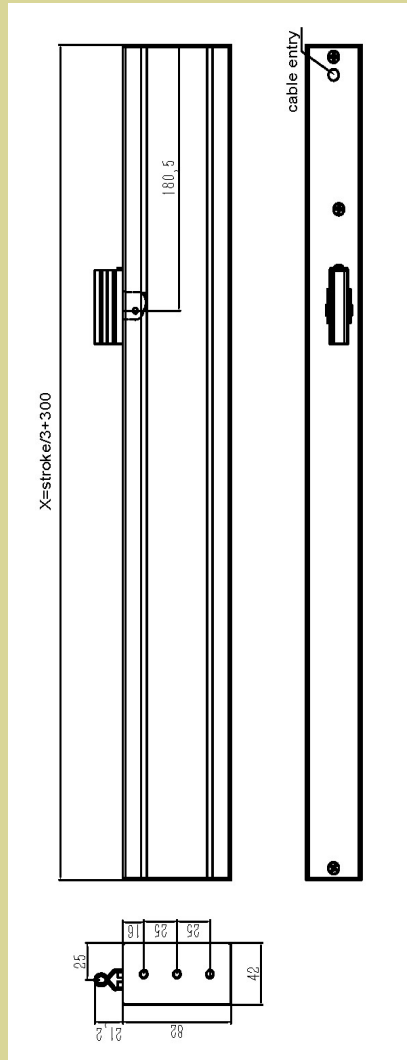
Ideal for natural and smoke ventilation application using bottom-hung, top-hung or skylight windows. Robust double chain and extra-short profile design in TM series provides ideal force to open heavy ventilators in typically long-stroke retraction applications.

### Features

- Specially designed for narrow and high windows to reach long stroke with extra-short profile.
- Advanced material applied in gears to ensure durability and low noise level.
- Meets B300 (300°C 30 Mins) EN 12101-2 annex G.
- Meets EN12101-2 annex C cycling test for 10,000 cycles
- Intelligent circuitry renders it adaptable to the changing force during open/close process.
- Configurable soft opening, water seal relief and finger protection features.
- High speed version available to open up to 1600mm in 60 seconds.
- Able to work with multi-point locks
- Addressable version available for network control.

# PRODUCT DATASHEET

## Dimension



| Order code       | Description   |
|------------------|---|
| T08.E.D.250.A.L0 | 24Vdc 800N, 250mm chain actuator (bracket order separately)                             |
| T08.E.D.300.A.L0 | 24Vdc 800N, 300mm chain actuator (brackets order separately)                            |
| T08.E.D.400.A.L0 | 24Vdc 800N, 400mm chain actuator (brackets order separately)                            |
| T08.E.D.500.A.L0 | 24Vdc 800N, 500mm chain actuator (brackets order separately)                            |
| T08.E.D.600.A.L0 | 24Vdc 800N, 600mm chain actuator, for retraction use only (brackets order separately)   |
| T08.E.D.700.A.L0 | 24Vdc 800N, 700mm chain actuator, for retraction use only (brackets order separately)   |
| T08.E.D.800.A.L0 | 24Vdc 800N, 800mm chain actuator, , for retraction use only (brackets order separately) |
| T08.E.D.1K0.A.L0 | 24Vdc 800N, 1,000mm chain actuator, for retraction use only (brackets order separately) |
| T08.E.D.1K4.A.L0 | 24Vdc 800N, 1,400mm chain actuator, for retraction use only (brackets order separately) |
| C04.B.S.020.L    | 400N face fixed bracket set, stainless steel 3mm, height 20mm                           |
| C04.B.G.040.L    | 400N silt fixed bracket set, zinc plated steel 3mm, height 40mm                         |
| C04.B.G.050.L    | 400N silt fixed bracket set, zinc plated steel 3mm, height 50mm                         |
| C04.B.G.060.L    | 400N Universal silt and face fixed bracket set, zinc plated steel 3mm, height 60mm      |

## How to order VARIANCES

**T08**

**E**

**D**

**XXX**

**S**

0 = Normal  
S= Stainless steel  
(for retraction only)

N = carbon steel  
E = intelligent  
K = fast speed

D = 24Vdc  
A= 230Vac

Stroke  
1000mm = 1K0  
500mm = 500  
250mm = 250

Colour  
S = Powder coated  
A=Anodized (RAL9006)  
B = Black  
W= White (RAL9003)



Use of improper brackets will damage windows and actuators or reduce their useful life, please contact our sales for special brackets supply. The brackets drawings are updated from time to time, visit our website for more information.

