

PRODUCT DATASHEET

CM250 Compact Chain Actuator - 230VAC

Suitable for use in smoke and natural ventilators

Technical

Voltage: 230Vac

Ampere : 0.1 A

Stroke: 100 - 1,000 mm

Push/Pull forces : 250N

Clamping forces: >3,500N
(based on manufacturers bracket)

Speed: 6 mm/s

Housing: Extruded Aluminum

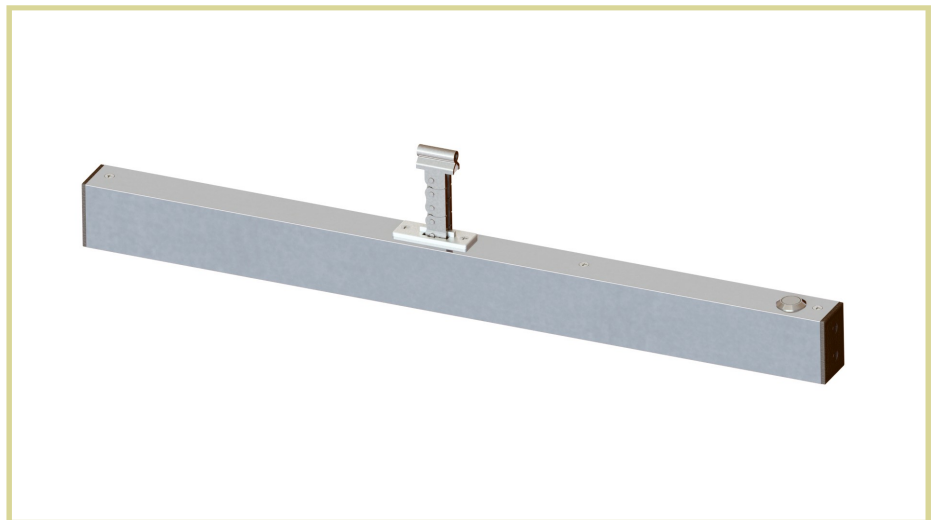
Finishes: Powder coated RAL 9006

Cable: 1 meter silicon cable

Ingress Protection: IP 32

Endurance: 10,000 cycles
30% duty cycle

Weight : 1.2 kg (350mm stroke)



CE

Description

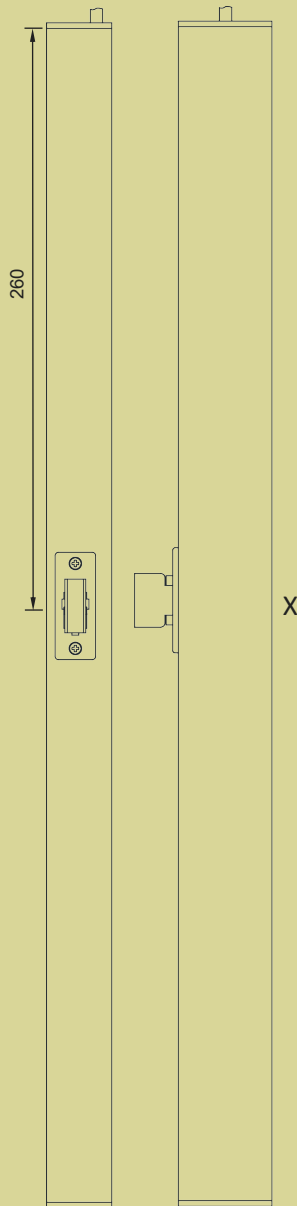
Compact design for use in conceal installation. Very quiet operation ideal for day to day ventilation. Ideal for use in natural ventilation or light weight roof-light.

Features

- Compact and small housing for use in small windows.
- Corrosion resistance.
- Design to meet EN 12101-2 annex G.
- Meet EN12101-2 annex C cycling test for 10,000 cycles.
- Option to have soft opening, water seal relief and finger protection.
- Smart version available for network controls.

PRODUCT DATASHEET

Dimension



Stroke (mm)	X (mm)
100-300	550
301-400	600
401-600	700
601-800	800

Order code	Description
C02.N.R.300.S	230Vac 250N, 300mm chain actuator with RF868 remote control (bracket order separately)
C02.N.R.600.S	230Vac 250N, 600mm chain actuator with RF868 remote control, for retraction use only, (brackets order separately)
NV.B.22.01.01	RF868 remote control plate 86x86
NV.B.21.01.01	RF868 remote control hand-held
C02.B.G.026.L	250N pivot face fixed bracket set for CM 250, 26mm high

How to order VARIANCES

C02

N

D

XXX

S

N = Normal
E = intelligent

D = 24Vdc
A = 230Vac
R=230Vac+RF868
V=24Vdc+RF868

Stroke
250mm = 250

S = Silver (RAL 9006)
B = Black



Use of improper brackets will damage windows and actuators or reduce their useful life, please contact our sales for special brackets supply. The brackets drawings are updated from time to time, visit our website for more information.

