

PRODUCT DATASHEET

CM400 Single Chain Actuator

Suitable for use in smoke and natural ventilators

Technical

Supply : 24 Vdc +/- 15%

Ampere:

N type: 1.0A

E type, <=600mm: 1.0A

E type, >=700mm: 2.0A

Stroke: 100 -1,400mm (retraction only for stroke>600mm)

Push/Pull forces : 400N/400N

Clamping forces: >3,500N
(based on manufacturers bracket)

Speed:

N type: 10 mm/s

E type, <=600mm: 10 mm/s

E type, >=700mm: 13-18 mm/s

Housing: Extruded Aluminum

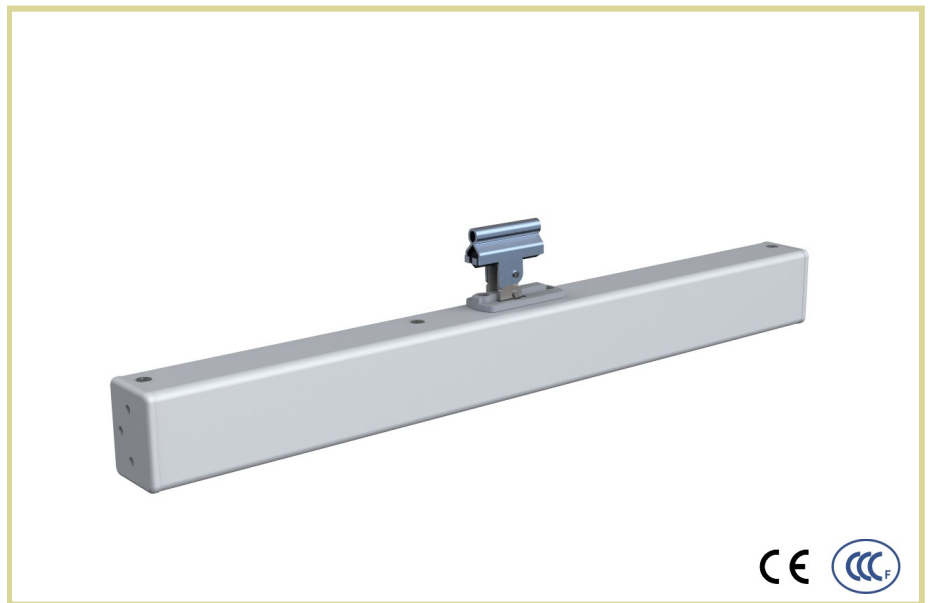
Finishes: Anodized RAL9006

Cable: 1 m silicon cable

Ingress Protection: IP 32

Endurance: 10,000 cycles
30% duty cycle

Weight : 2.2 kg (500mm stroke)



Description

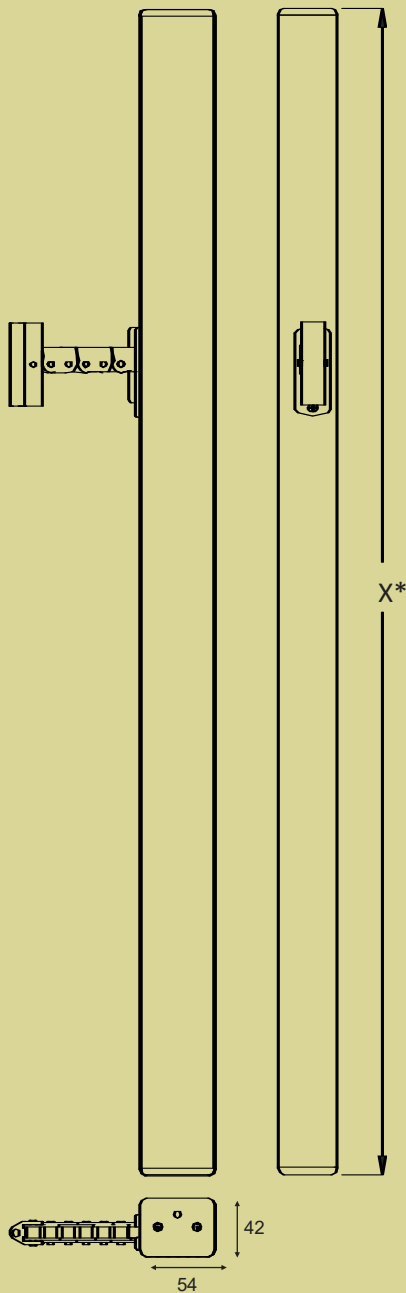
Ideal for natural and smoke ventilation application. Robust double chain design provides good compression force to open light roof light and top hung ventilators in most application.

Features

- Versatile application for different types of ventilators.
- Corrosion resistance.
- Meets B300 (300°C 30 Mins) EN 12101-2 annex G.
- Meets EN12101-2 annex C cycling test for 10,000 cycles.
- Optional: soft opening, water seal relief and finger protection for safety.
- High speed version available to open 900mm in 60 sec.
- Modbus driven addressable version available for network control installation.

PRODUCT DATASHEET

Dimension



Stroke (mm)	X (mm)
100-250	460
300-400	550
500-600	650
700-800	750
900	800
1000	850

*X = Stroke / 2+506 for fail-safe model.

Order code	Description
C04.N.D.250.A.L0	24Vdc 400N, 250mm chain actuator (bracket order separately)
C04.N.D.300.A.L0	24Vdc 400N, 300mm chain actuator (brackets order separately)
C04.N.D.400.A.L0	24Vdc 400N, 400mm chain actuator (brackets order separately)
C04.N.D.500.A.L0	24Vdc 400N, 500mm chain actuator (brackets order separately)
C04.N.D.600.A.L0	24Vdc 400N, 600mm chain actuator (brackets order separately)
C04.N.D.700.A.L0	24Vdc 400N, 700mm chain actuator (brackets order separately)
C04.N.D.800.A.L0	24Vdc 400N, 800mm chain actuator (brackets order separately)
C04.N.D.1K0.A.L0	24Vdc 400N, 1,000mm chain actuator (brackets order separately)
C04.B.S.020.L	400N face fixed bracket set, stainless steel 3mm, height 20mm
C04.B.G.040.L	400N silt fixed bracket set, zinc plated steel 3mm, height 40mm
C04.B.G.050.L	400N silt fixed bracket set, zinc plated steel 3mm, height 50mm
C04.B.G.060.L	400N Universal silt and face fixed bracket set, zinc plated steel 3mm, height 60mm

How to order VARIANCES

C04

0 = normal
F = Fail-safe w/
intel PCB
G = Fail-safe w/
regular PCB
S =Stainless steel

N

N = carbon steel
E = intelligent
G = addressable

D

D = 24Vdc
A= 230Vac

XXX

Stroke
1K0=1000mm
500=500mm
250=250mm

S

Colour
S = Powder
coated
A=Anodized
(RAL9006)
B = black
W= White
(RAL9003)



Use of improper brackets will damage windows and actuators or reduce their useful life, please contact our sales for special brackets supply. The brackets drawings are updated from time to time, visit our website for more information.

