

PRODUCT DATASHEET

CM1500 Heavy Duty Chain Actuator

Suitable for use in smoke and natural application in roof and slope ventilator

Technical

Voltage: 24 Vdc +/- 15%

Ampere : 4.8A

Stroke: 100 -1,500mm

Compression up to 1100mm

Push/Pull forces : 1500N

Clamping forces: >3500N
(based on manufacturers bracket)

Speed: 12 mm/s

Housing: Extruded Aluminum

Finishes: Powder coated RAL 9006

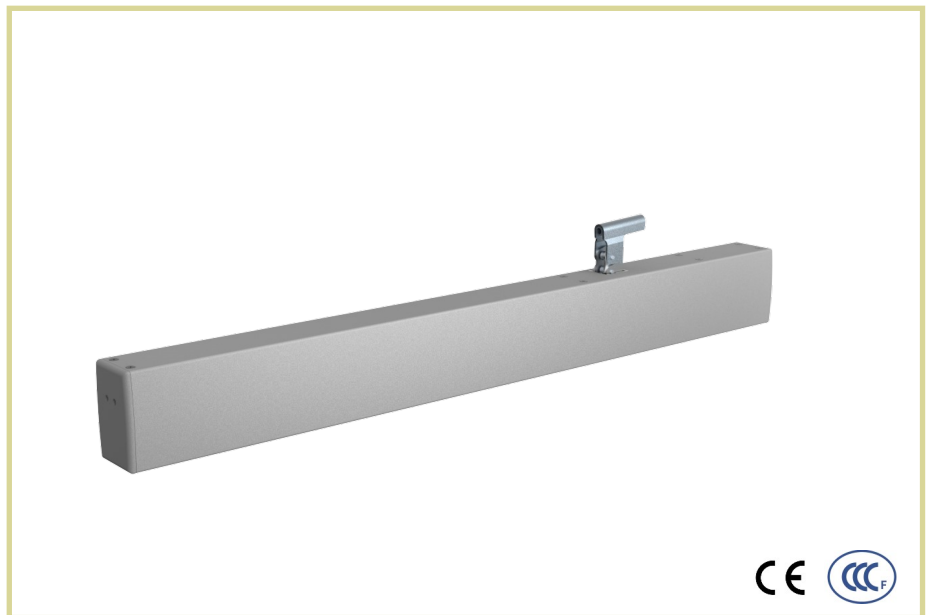
Cable: 1 meter silicon cable

Ingress Protection: IP 32

Endurance: 10,000 cycles
30% duty cycle

Weight : 10 kg (500mm stroke)

Synchronization: internal



Description

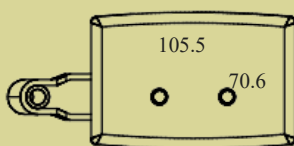
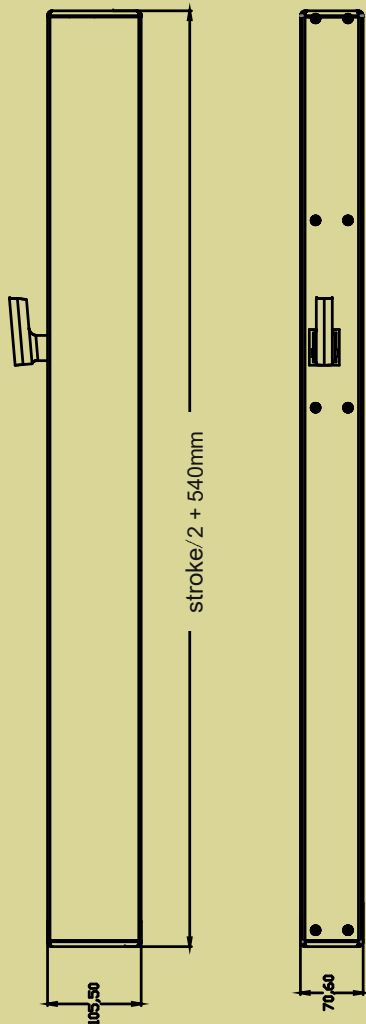
Designed to fulfill the need to drive big roof and slope ventilators with good aesthetics. A better alternative to replace linear actuators to automate heavy vents. Special double layer chain blade provides sufficient force to withstand 1500N compression force up to 1100mm stroke.

Features

- Strong and robust chain construction to open/close heavy vents.
- Corrosion resistance housing.
- Meets B300 (300°C 30 Mins) EN 12101-2 annex G.
- Meet EN12101-2 annex C cycling test for 10,000 cycles.
- Micro processor based control delivers constant speed, soft opening, water seal relief and finger protection to enhance users safety and reduce stress to the ventilators.
- High speed opening to 1,100mm in 60 seconds.

PRODUCT DATASHEET

Dimension



Order code	Description of products
C15.E.D.250.S.L0	24Vdc 1500N, 250mm chain actuator (bracket order separately)
C15.E.D.300.S.L0	24Vdc 1500N, 300mm chain actuator (bracket order separately)
C15.E.D.400.S.L0	24Vdc 1500N, 400mm chain actuator (bracket order separately)
C15.E.D.500.S.L0	24Vdc 1500N, 500mm chain actuator (bracket order separately)
C15.E.D.600.S.L0	24Vdc 1500N, 600mm chain actuator (bracket order separately)
C15.E.D.700.S.L0	24Vdc 1500N, 700mm chain actuator (bracket order separately)
C15.E.D.800.S.L0	24Vdc 1500N, 800mm chain actuator (bracket order separately)
C15.E.D.900.S.L0	24Vdc 1500N, 900mm chain actuator (bracket order separately)
C15.E.D.1K0.S.L0	24Vdc 1500N, 1,000mm chain actuator (bracket order separately)



Use of improper brackets will damage windows and actuators or reduce their useful life, please contact our sales for special brackets supply. The brackets drawings are updated from time to time, visit our website for more information.

