

PRODUCT DATASHEET

MPL 800 Multiple Lock/Louver Actuator

Suitable for use in smoke and natural ventilators

Technical

Voltage: 24 Vdc +/- 6%

Stroke: 20/50mm

Push/Pull forces : 800N

Ampere: 1.2A @ 24Vdc

Speed: 4.0 mm/s

Housing: Extruded Aluminum

Finishes: Powder coated RAL 9006

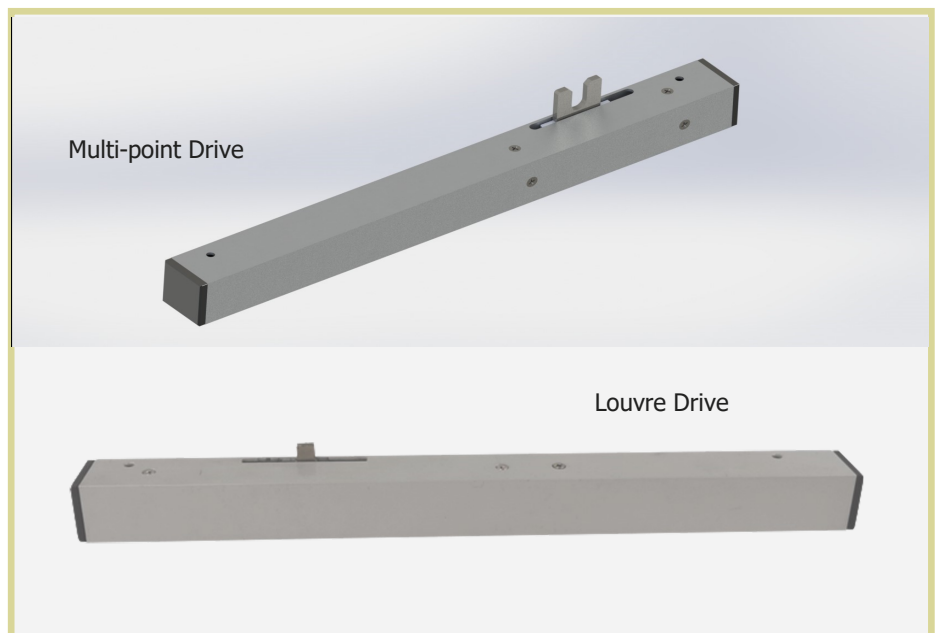
Cable: 1 meter silicon cable

Ingress Protection: IP 20

Endurance: 10,000 cycles

30% duty cycle

Weight : 1.5 kg (20mm)



Description

Compact design, and equipped with manual unlocking mechanism, ideal for in-profile installation for good aesthetic appearance.

Control sequence:

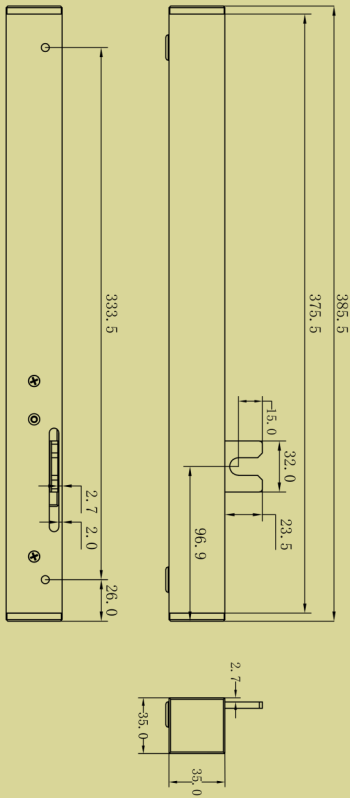
Open MPL > Open Vent > Close Vent > lock MPL

Features

- Compact design easy for conceal installation.
- 20mm and 55mm stroke selection for driving MPL or louver.
- Built in micro processor control and compatible with intelligent actuator for control sequence. No external board required.
- Equipped with manual override for quick release during power outage, and malfunction to facilitate maintenance work.

PRODUCT DATASHEET

Dimension



For stroke 20mm

Order code	Description
M08.E.D.050.S.L0	800N louver actuator, 50mm stroke, with intelligent control
M08.E.D.020.S.L0	800N MPL actuator, 20mm stroke, with intelligent control.
M08.N.D.020.S.L0	800N MPL actuator, 20mm stroke, (external sequential control required)