

PRODUCT DATASHEET

ACCESSORIES

PRODUCT DATASHEET

Wind and Rain Sensor

Suitable for use in all AF Controls NSHEV panel

Technical

Wind Speed Sensor

Voltage: 24 Vdc +/- 10%

Rating: <2W

Output: Dry Contact

Material:

Wind Cup: ABS or aluminum

Housing: ABS

Finishes: Black

Cable: 1 meter cable

Ingress Protection: IP 55

Heated Rain Sensor

Voltage: 24 Vdc +/- 10%

Rating: <10W

Output: Dry Contact

Material:

Wind Cup: ABS or aluminum

Housing: ABS

Finishes: Black or off white

Cable: 1 meter cable

Ingress Protection: IP 55

Combined WRS with mounting stand

Voltage: 24 Vdc +/- 10%

Current Rating: <12W

Output: Dry Contact

Material:

RS/WS: See above

Standard: Aluminum

Ingress Protection: IP 55



Description

Both RS and WS are designed to work with AF range of control panel to protect damages to windows and indoor fixtures from ingress of rain or strong wind. Both sensors are calibrated in the factory, users can adjust sensitivity on site by simple setting. Both sensor can work separately or as a combo wind and rain sensor.

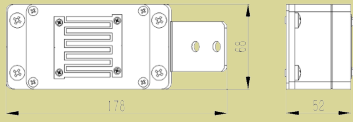
Features

- Rain sensor is heated to avoid unwanted activation of window closing due to water condensation such as morning dew.
- Choice of aluminium or ABS material for wind speed cup to cater for different environment.
- All electronics are encapsulated in water proof epoxy to enhance working life due to adverse external environment.
- Onsite adjustable setting for different sensitivity of different application requirement.

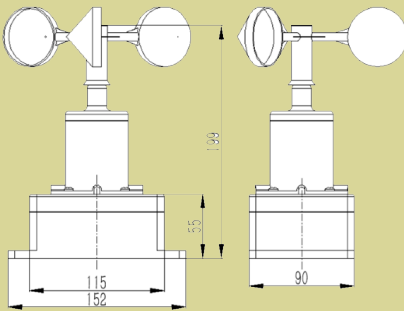
PRODUCT DATASHEET

Dimension

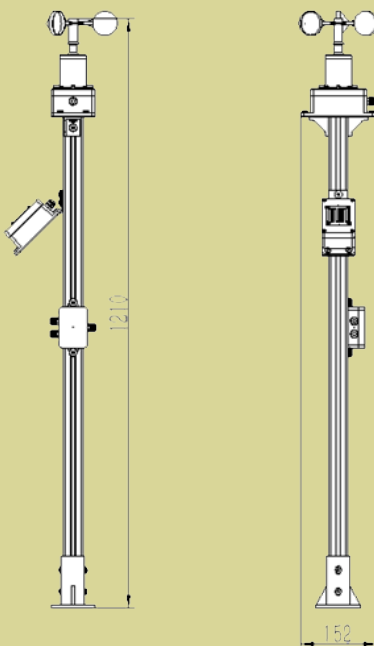
RS



WS



WRS



Order code	Description
NV.W.01.00.01.S1	WS Wind Speed Sensor, 0-60m/s, dry contact output, with 1 meter cable
NV.W.03.00.01.S1	WRS Combined Wind speed and Rain Sensor (heated) with mounting stand, dry contact output
NV.W.02.00.01.S1	RS Rain sensor with built-in heating element, dry contact output with 1 meter cable,

PRODUCT DATASHEET

Low Cost Rain Sensor for NV.RF controller

Part no: NV.W.03.00.01.S2

Rain Sensor

A low cost rain sensor compatible to NV.R range of controller by AF Controls with reliability and durability in mind.

Part No.NV.W.03.00.01.S2

Compatible Controller:

NV.R.D5.XX.00.ZH

NV.R.A3.XX.00.ZH

Input: 12Vdc

Output: momentary contact

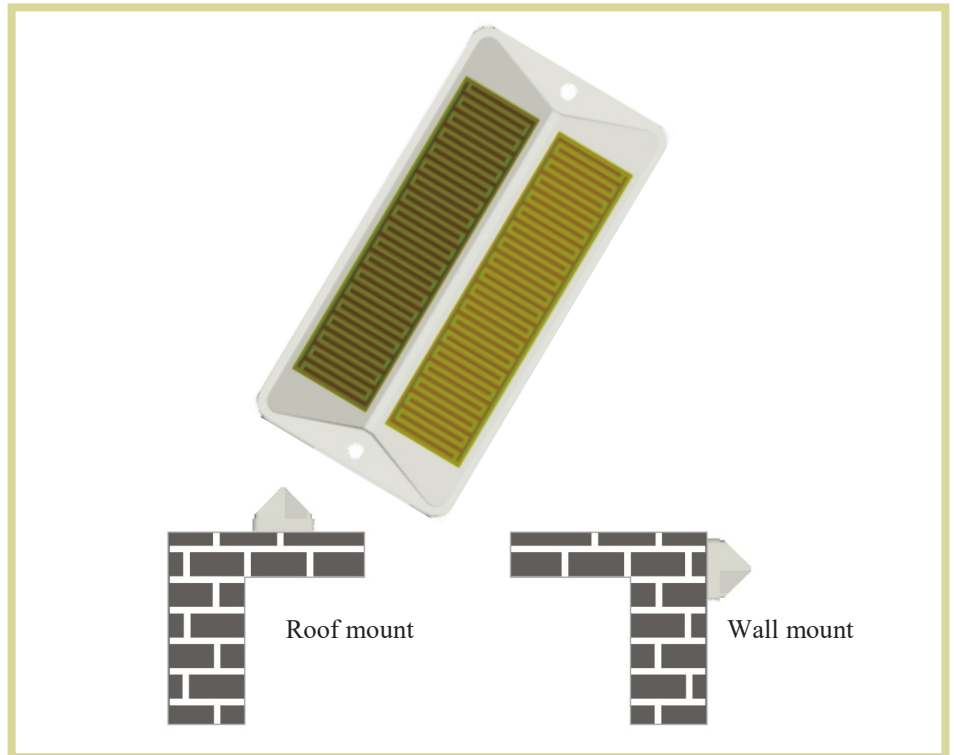
Temperature: -20 to 70 deg C

Mounting: Suitable for both roof and wall mount application

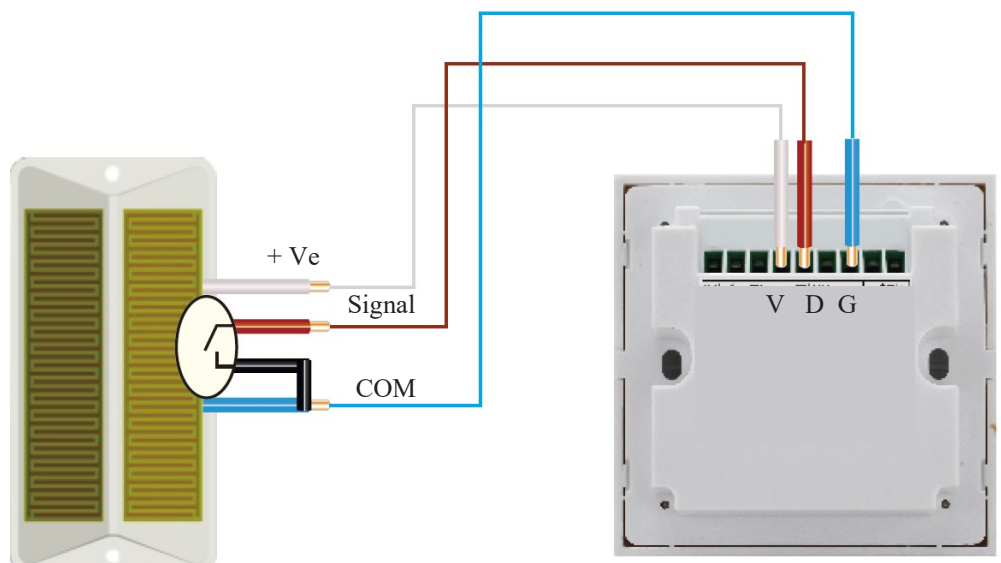
Dimension: 100 x 30 x 55 mm

Ingress protection: IP 65

Check compatibility if you want to use non NV.RF controller.



Wiring Instruction



PRODUCT DATASHEET

Wind and Rain Sensor

Use with AF switch modules and NV.RF controller

Wind & Rain Sensor

A reliable wind and rain sensor to automate the window control when wind strength and rain fall is exceeding the set value. It is compatible to NV.R range of controller by AF Controls.

Part No. NV.W.02.00.01.S2

Compatible Controller:

NV.R.D3.XX.00.ZH

NV.R.A3.XX.00.ZH

Input: 12Vdc

Output: Dry contact

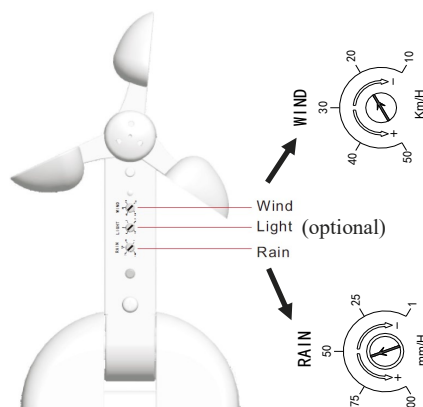
Temperature: -20 to 70 deg C

Ingress protection: IP 55

Check compatibility if you want to use non NV.RF controller.



Sensitivity setting



Wind speed sensitivity setting:

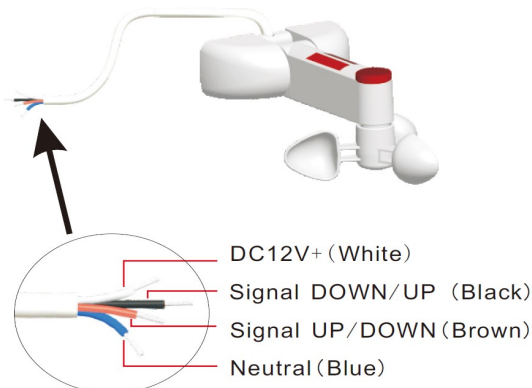
Rotate the potentiometer counter-clockwise to increase the trigger threshold, ranging from 10 to 50 km/h. When the wind speed reaches the setpoint, the control signal will activate.

Rain fall sensitivity setting:

Rotate the potentiometer counter-clockwise to increase the trigger threshold, ranging from 1 to 100 mm/h.

- At the highest sensitivity (set to 1), the control signal will activate when rain-fall reaches the setpoint and lasts for 1 second.
- At other settings, the control signal will activate once the setpoint is reached and sustained for 25 seconds.

Wiring Instruction



PRODUCT DATASHEET

Sensors, Switches and Accessories

For smoke and natural ventilation

NV day to day switch



Order code: NV.B.03.86.86

Fixing centre: 60.3mm, Plate size 86 mm x 86mm

Spring return rocker , Plastic front-plate

Current: < 5A

SHEV/MCP manual activation switch



Order code: SV.B.01.86.86

Emergency button for smoke ventilator (yellow)

Break glass to activate system c/w Reset test key available for maintenance purpose

Size: 86 x 86 mm

Current: < 5A

NV/RF control module



Order Code:

NV.R.D3.86.86: 3A@24Vdc (24Vdc input)

NV.R.A1.86.86: 1A@24Vdc (230Vac input), max 1.5 A for 60 seconds

NV.R.A3.86.86: 2A@24Vdc (230Vac input), max 3A for 60 seconds

Frequency: RF433.92Mhz

Dimension: 86mm x 86mm, house in normal BS single gang box

NV/RF portable control



Order code: NV.B.21.00.01.S1 (single channel)

NV.B.21.00.05 (5 channels)

Frequency: RF433.92Mhz

Each can pair one or more RF control modules. 5 channels unit can control 5 individual control modules separately by selecting the corresponding paired channel.

Dimension: 125mm x 45mm

Effective transmit distance: 100M (open space)

PRODUCT DATASHEET

IN/WEATHER Wind Rain Detector



Order code: NV.W.02.00.01

Compact design, integrated wind and rain sensing

Sensitivity: Adjustable

Voltage: 24VD

Output: Combined relay output

IN/WEATHER Outdoor Thermostat



Order Code: NV.W.01.00.01

Sensing external high/low temperature with adjustable set-points for automated opening/closing window

Output: 2 x Dry contacts

IN/TEMP Room Thermostat



Order Code: NV.T.01.86.01

For use indoor for sensing space temperature for opening/closing window

Output: Dry contact

IN/WEATHER Outdoor Humidity Detector



Order Code: NV.W.03.00.01

Detection of external humidity for inputs to close/opening natural ventilators

Output: Dry contact

IN/WEATHER Visibility Sensor



Order Code: NV.W.07.00.01

Detection of outdoor visibility and air quality to assist opening/closing of natural ventilators

Power supply: 24Vdc

Output: Relay output